

## Important notice

Dear Customer,

On 7 February 2017 the former NXP Standard Product business became a new company with the tradename **Nexperia**. Nexperia is an industry leading supplier of Discrete, Logic and PowerMOS semiconductors with its focus on the automotive, industrial, computing, consumer and wearable application markets

In data sheets and application notes which still contain NXP or Philips Semiconductors references, use the references to Nexperia, as shown below.

Instead of <http://www.nxp.com>, <http://www.philips.com/> or <http://www.semiconductors.philips.com/>, use <http://www.nexperia.com>

Instead of [sales.addresses@www.nxp.com](mailto:sales.addresses@www.nxp.com) or [sales.addresses@www.semiconductors.philips.com](mailto:sales.addresses@www.semiconductors.philips.com), use [salesaddresses@nexperia.com](mailto:salesaddresses@nexperia.com) (email)

Replace the copyright notice at the bottom of each page or elsewhere in the document, depending on the version, as shown below:

- © NXP N.V. (year). All rights reserved or © Koninklijke Philips Electronics N.V. (year). All rights reserved

Should be replaced with:

- © **Nexperia B.V. (year). All rights reserved.**

If you have any questions related to the data sheet, please contact our nearest sales office via e-mail or telephone (details via [salesaddresses@nexperia.com](mailto:salesaddresses@nexperia.com)). Thank you for your cooperation and understanding,

Kind regards,

Team Nexperia

# CBT3306

## Dual bus switch

Rev. 7 — 1 May 2012

Product data sheet

## 1. General description

The CBT3306 dual FET bus switch features independent line switches. Each switch is disabled when the associated output enable ( $\overline{nOE}$ ) input is HIGH.

The CBT3306 is characterized for operation from  $-40\text{ }^{\circ}\text{C}$  to  $+85\text{ }^{\circ}\text{C}$ .

## 2. Features and benefits

- $5\ \Omega$  switch connection between two ports
- TTL-compatible input levels
- Multiple package options
- Latch-up protection exceeds 100 mA per JESD78B
- ESD protection:
  - ◆ HBM JESD22-A114F exceeds 2000 V
  - ◆ CDM JESD22-C101D exceeds 1000 V

## 3. Ordering information

Table 1. Ordering information

Type number	Package		
	Name	Description	Version
CBT3306D	SO8	plastic small outline package; 8 leads; body width 3.9 mm	SOT96-1
CBT3306PW	TSSOP8	plastic thin shrink small outline package; 8 leads; body width 4.4 mm	SOT530-1
CBT3306GT	XSON8	plastic extremely thin small outline package; no leads; 8 terminals; body $1 \times 1.95 \times 0.5$ mm	SOT833-1
CBT3306GM	XQFN8	plastic, extremely thin quad flat package; no leads; 8 terminals; body $1.6 \times 1.6 \times 0.5$ mm	SOT902-2

## 4. Marking

Table 2. Marking codes

Type number	Marking code
CBT3306D	CBT3306
CBT3306PW	3306
CBT3306GT	F06
CBT3306GM	F06



## 5. Functional diagram

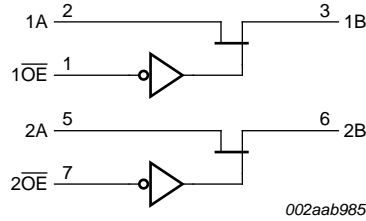


Fig 1. Logic diagram

## 6. Pinning information

### 6.1 Pinning

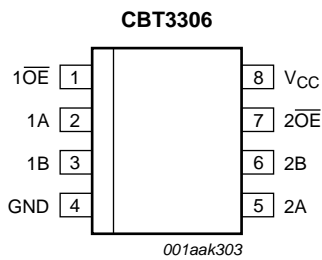


Fig 2. Pin configuration for SO8 (SOT96-1)

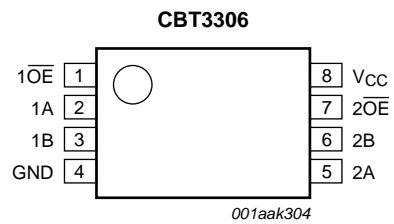


Fig 3. Pin configuration for TSSOP8 (SOT530-1)

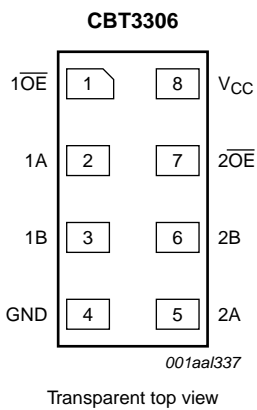


Fig 4. Pin configuration SOT833-1 (XSON8)

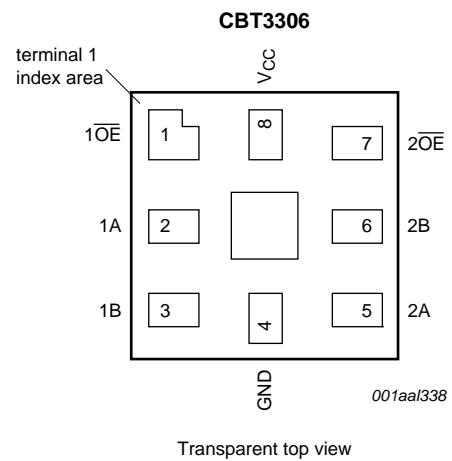


Fig 5. Pin configuration SOT902-2 (XQFN8)

## 6.2 Pin description

**Table 3.** Pin description

Symbol	Pin	Description
$1\overline{OE}, 2\overline{OE}$	1, 7	output enable input
1A, 2A	2, 5	data input/output (A port)
1B, 2B	3, 6	data input/output (B port)
GND	4	ground (0 V)
$V_{CC}$	8	positive supply voltage

## 7. Functional description

**Table 4.** Function selection<sup>[1]</sup>

Input	Input/output
$\overline{nOE}$	nA, nB
L	nA = nB
H	Z

[1] H = HIGH voltage level; L = LOW voltage level; Z = high-impedance OFF-state.

## 8. Limiting values

**Table 5.** Limiting values

In accordance with the Absolute Maximum Rating System (IEC 60134).<sup>[1]</sup>

$T_{amb} = -40\text{ °C}$  to  $+85\text{ °C}$ , unless otherwise specified.

Symbol	Parameter	Conditions	Min	Max	Unit
$V_{CC}$	supply voltage		-0.5	+7.0	V
$V_I$	input voltage		<sup>[2]</sup> -0.5	+7.0	V
$I_O$	output current		-	128	mA
$I_{IK}$	input clamping current	$V_{IO} = 0\text{ V}$	-50	-	mA
$T_{stg}$	storage temperature		-65	+150	°C

[1] Stresses beyond those listed may cause permanent damage to the device. These are stress ratings only and functional operation of the device at these or any other conditions beyond those indicated under [Section 9](#), is not implied. Exposure to absolute-maximum-rated conditions for extended periods may affect device reliability.

[2] The input and output negative-voltage ratings may be exceeded if the input and output clamp-current ratings are observed.

## 9. Recommended operating conditions

**Table 6.** Operating conditions

All unused control inputs of the device must be held at  $V_{CC}$  or GND to ensure proper device operation.

Symbol	Parameter	Conditions	Min	Typ	Max	Unit
$V_{CC}$	supply voltage		4.5	-	5.5	V
$V_{IH}$	HIGH-level input voltage		2.0	-	-	V
$V_{IL}$	LOW-level input voltage		-	-	0.8	V
$T_{amb}$	ambient temperature	operating in free air	-40	-	+85	°C

## 10. Static characteristics

**Table 7. Static characteristics**

Voltages are referenced to GND (ground = 0 V).

Symbol	Parameter	Conditions	-40 °C to +85 °C			Unit	
			Min	Typ <sup>[1]</sup>	Max		
V <sub>IK</sub>	input clamping voltage	V <sub>CC</sub> = 4.5 V; I <sub>I</sub> = -18 mA	-	-	-1.2	V	
I <sub>I</sub>	input leakage current	V <sub>CC</sub> = 5.5 V; V <sub>I</sub> = GND or 5.5 V	-	-	±1	μA	
I <sub>CC</sub>	supply current	V <sub>CC</sub> = 5.5 V; I <sub>O</sub> = 0 mA; V <sub>I</sub> = V <sub>CC</sub> or GND	-	-	3	μA	
V <sub>pass</sub>	pass voltage	output HIGH; V <sub>I</sub> = V <sub>CC</sub> = 5.0 V; I <sub>O</sub> = -100 μA	3.6	3.9	4.2	V	
ΔI <sub>CC</sub>	additional supply current	per input pin; V <sub>CC</sub> = 5.5 V; one input at 3.4 V, other inputs at V <sub>CC</sub> or GND	<sup>[2]</sup>	-	2.5	mA	
C <sub>I</sub>	input capacitance	control pin; V <sub>I</sub> = 3 V or 0 V	-	3.15	-	pF	
C <sub>io(off)</sub>	off-state input/output capacitance	port off; V <sub>I</sub> = 3 V or 0 V; n $\overline{OE}$ = V <sub>CC</sub>	-	6.45	-	pF	
R <sub>ON</sub>	ON resistance	V <sub>CC</sub> = 4.5 V; V <sub>I</sub> = 0 V; I <sub>I</sub> = 64 mA	<sup>[3]</sup>	-	3.4	5	Ω
		V <sub>CC</sub> = 4.5 V; V <sub>I</sub> = 0 V; I <sub>I</sub> = 30 mA	<sup>[3]</sup>	-	3.4	5	Ω
		V <sub>CC</sub> = 4.5 V; V <sub>I</sub> = 2.4 V; I <sub>I</sub> = 15 mA	<sup>[3]</sup>	-	6.8	15	Ω

[1] All typical values are at V<sub>CC</sub> = 5 V, T<sub>amb</sub> = 25 °C.

[2] This is the increase in supply current for each input that is at the specified TTL voltage level rather than V<sub>CC</sub> or GND.

[3] Measured by the voltage drop between the nA and the nB terminals at the indicated current through the switch. ON resistance is determined by the lowest voltage of the two (nA, nB) terminals.

## 11. Dynamic characteristics

**Table 8. Dynamic characteristics**

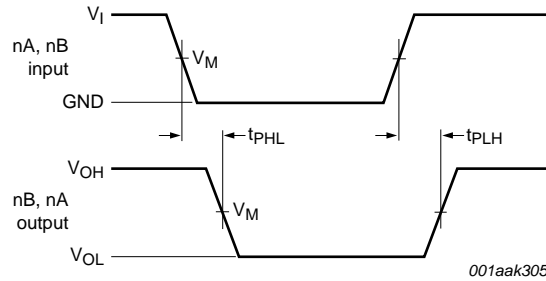
Voltages are referenced to GND (ground = 0 V). For test circuit see [Figure 8](#).

Symbol	Parameter	Conditions	-40 °C to +85 °C			Unit
			Min	Typ	Max	
t <sub>pd</sub>	propagation delay	nA, nB to nB, nA; see <a href="#">Figure 6</a> V <sub>CC</sub> = 5.0 V ± 0.5 V	<sup>[1][2]</sup>	-	0.25	ns
t <sub>en</sub>	enable time	n $\overline{OE}$ to nA, nB; see <a href="#">Figure 7</a> V <sub>CC</sub> = 5.0 V ± 0.5 V	<sup>[2]</sup>	1.0	5.0	ns
t <sub>dis</sub>	disable time	n $\overline{OE}$ to nA, nB; see <a href="#">Figure 7</a> V <sub>CC</sub> = 5.0 V ± 0.5 V	<sup>[2]</sup>	1.0	5.0	ns

[1] The propagation delay is the calculated RC time constant of the typical ON resistance of the switch and the specified load capacitance, when driven by an ideal voltage source (zero output impedance).

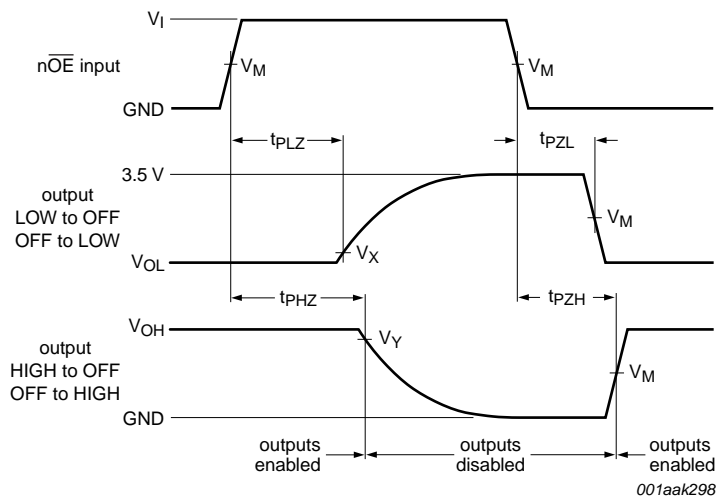
[2] t<sub>pd</sub> is the same as t<sub>PLH</sub> and t<sub>PHL</sub>.  
t<sub>en</sub> is the same as t<sub>PZL</sub> and t<sub>PZH</sub>.  
t<sub>dis</sub> is the same as t<sub>PLZ</sub> and t<sub>PHZ</sub>.

12. Waveforms



Measurement points are given in [Table 9](#).  
 Logic levels:  $V_{OL}$  and  $V_{OH}$  are typical output voltage levels that occur with the output load.

**Fig 6. The data input (nA, nB) to output (nB, nA) propagation delay times**



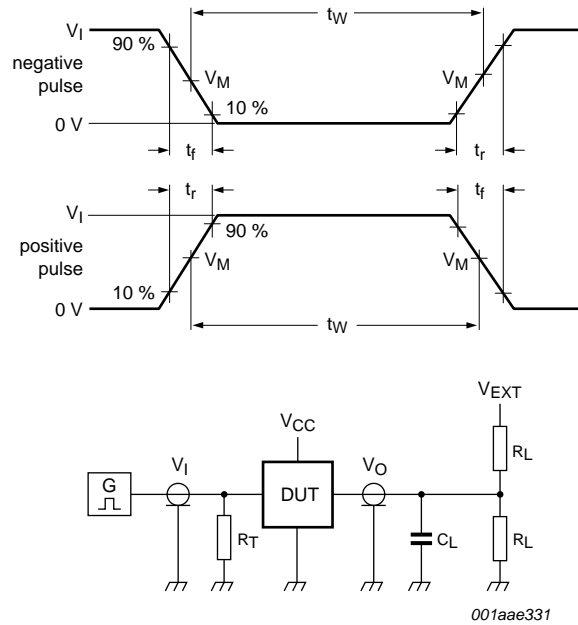
Measurement points are given in [Table 9](#).  
 Logic levels:  $V_{OL}$  and  $V_{OH}$  are typical output voltage levels that occur with the output load.

**Fig 7. Enable and disable times**

**Table 9. Measurement points**

Supply voltage	Input		Output		
$V_{CC}$	$V_I$	$V_M$	$V_M$	$V_X$	$V_Y$
$V_{CC} = 5.0\text{ V} \pm 0.5\text{ V}$	GND to 3.0 V	1.5 V	1.5 V	$V_{OL} + 0.3\text{ V}$	$V_{OH} - 0.3\text{ V}$

13. Test information



Test data is given in [Table 10](#).

All input pulses are supplied by generators having the following characteristics: PRR ≤ 10 MHz; Z<sub>o</sub> = 50 Ω.

The outputs are measured one at a time with one transition per measurement.

Definitions for test circuit:

R<sub>L</sub> = Load resistance.

C<sub>L</sub> = Load capacitance including jig and probe capacitance.

R<sub>T</sub> = Termination resistance should be equal to output impedance Z<sub>o</sub> of the pulse generator.

V<sub>EXT</sub> = External voltage for measuring switching times.

Fig 8. Test circuit for measuring switching times

Table 10. Test data

Supply voltage	Input		Load		V <sub>EXT</sub>		
	V <sub>I</sub>	t <sub>r</sub> , t <sub>f</sub>	C <sub>L</sub>	R <sub>L</sub>	t <sub>PLH</sub> , t <sub>PHL</sub>	t <sub>PLZ</sub> , t <sub>PZL</sub>	t <sub>PHZ</sub> , t <sub>PZH</sub>
V <sub>CC</sub> = 5.0 V ± 0.5 V	GND to 3.0 V	≤ 2.5 ns	50 pF	500 Ω	open	7.0 V	open

14. Package outline

SO8: plastic small outline package; 8 leads; body width 3.9 mm

SOT96-1

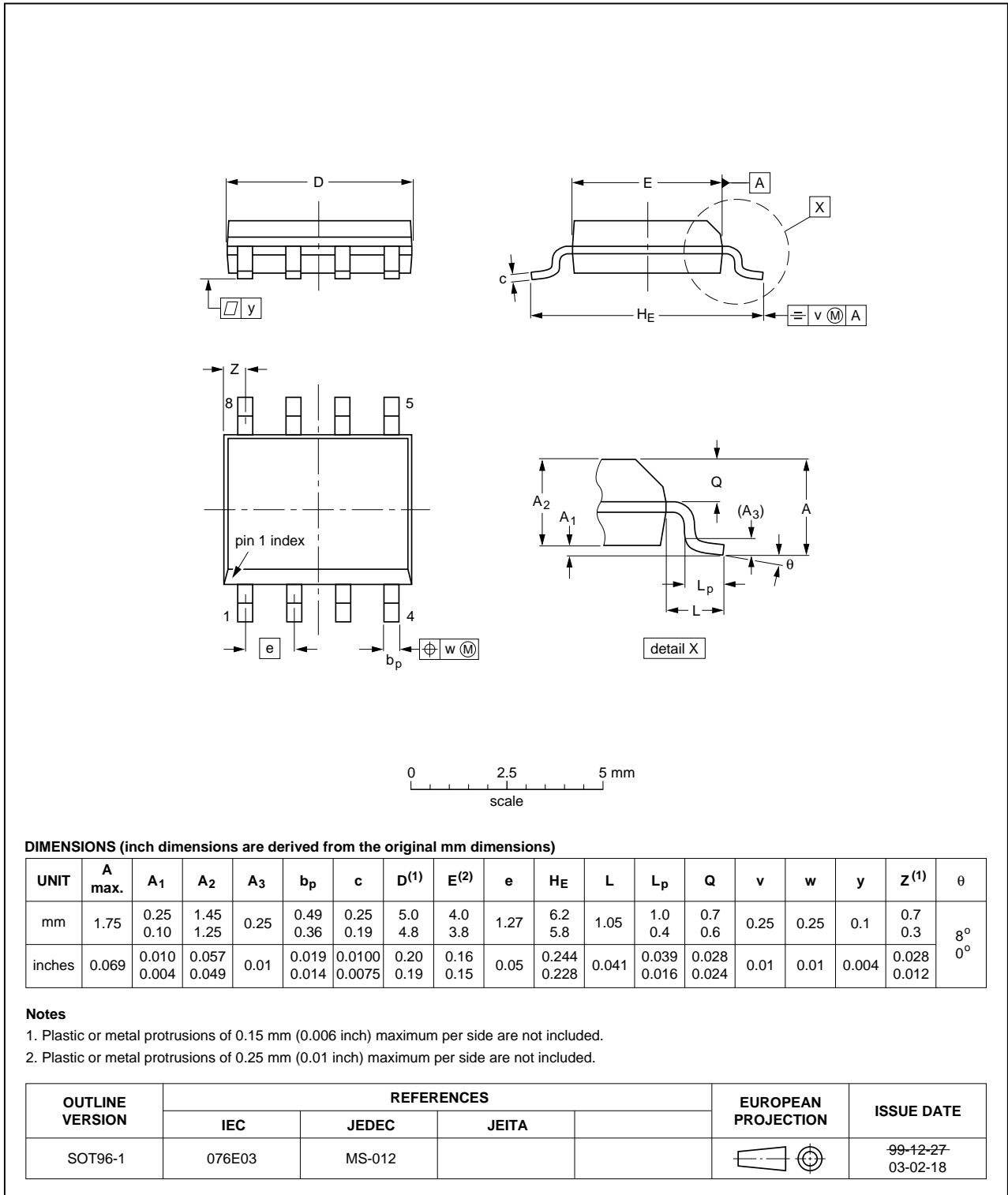


Fig 9. Package outline SOT96-1 (SO8)



TSSOP8: plastic thin shrink small outline package; 8 leads; body width 4.4 mm

SOT530-1

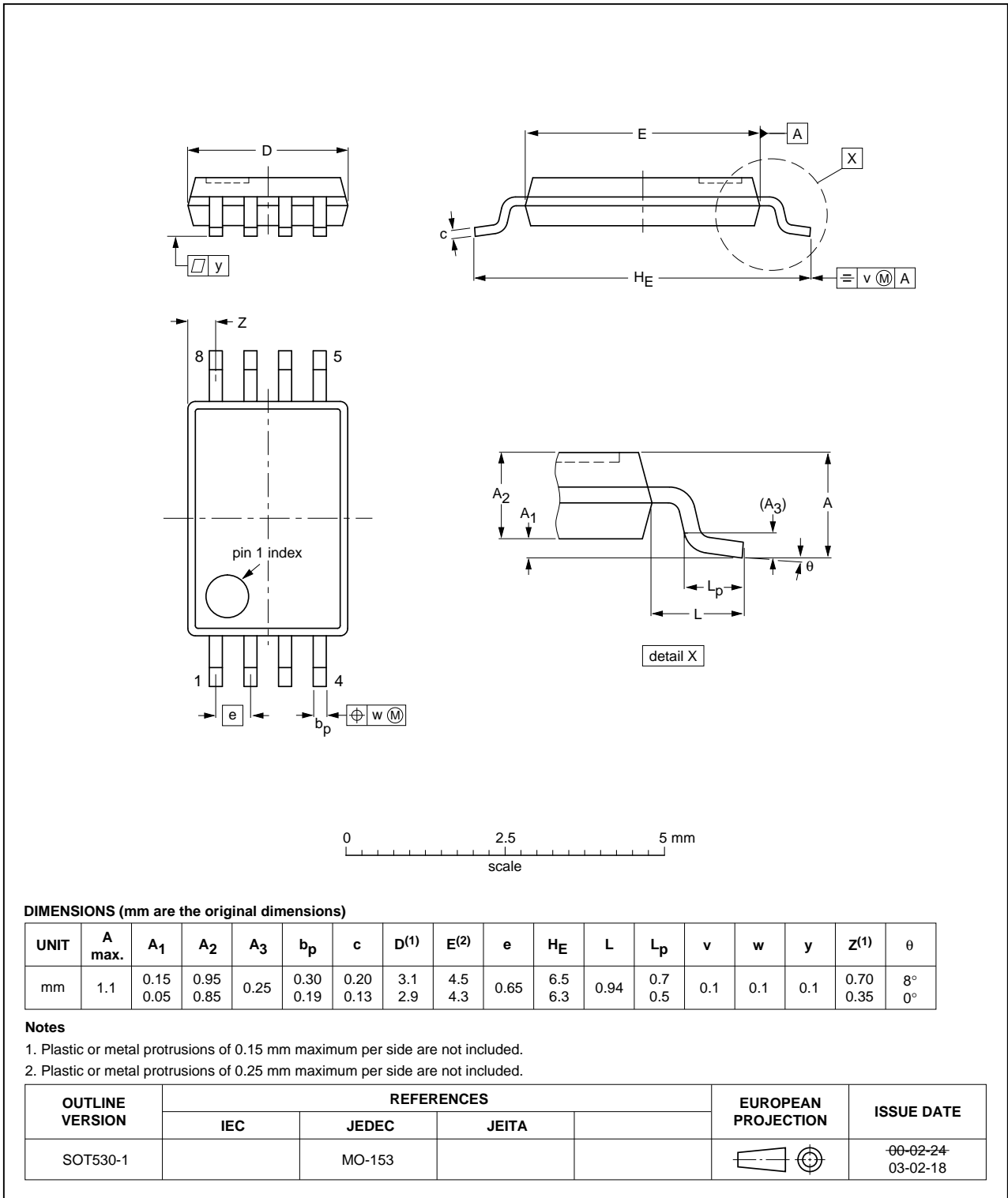


Fig 10. Package outline SOT530-1 (TSSOP8)

XSON8: plastic extremely thin small outline package; no leads; 8 terminals; body 1 x 1.95 x 0.5 mm

SOT833-1

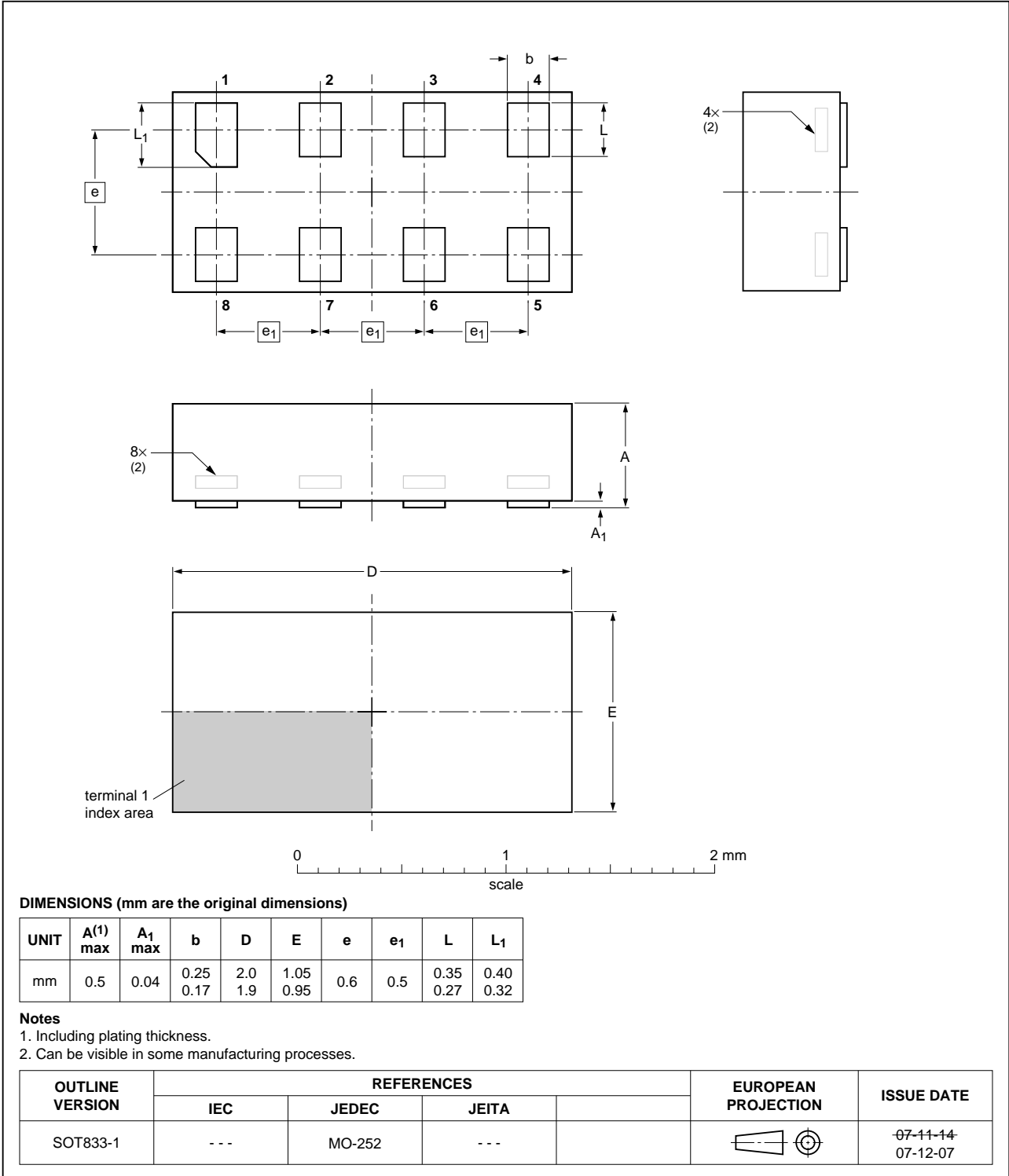


Fig 11. Package outline SOT833-1 (XSON8)

XQFN8: plastic, extremely thin quad flat package; no leads;  
8 terminals; body 1.6 x 1.6 x 0.5 mm

SOT902-2

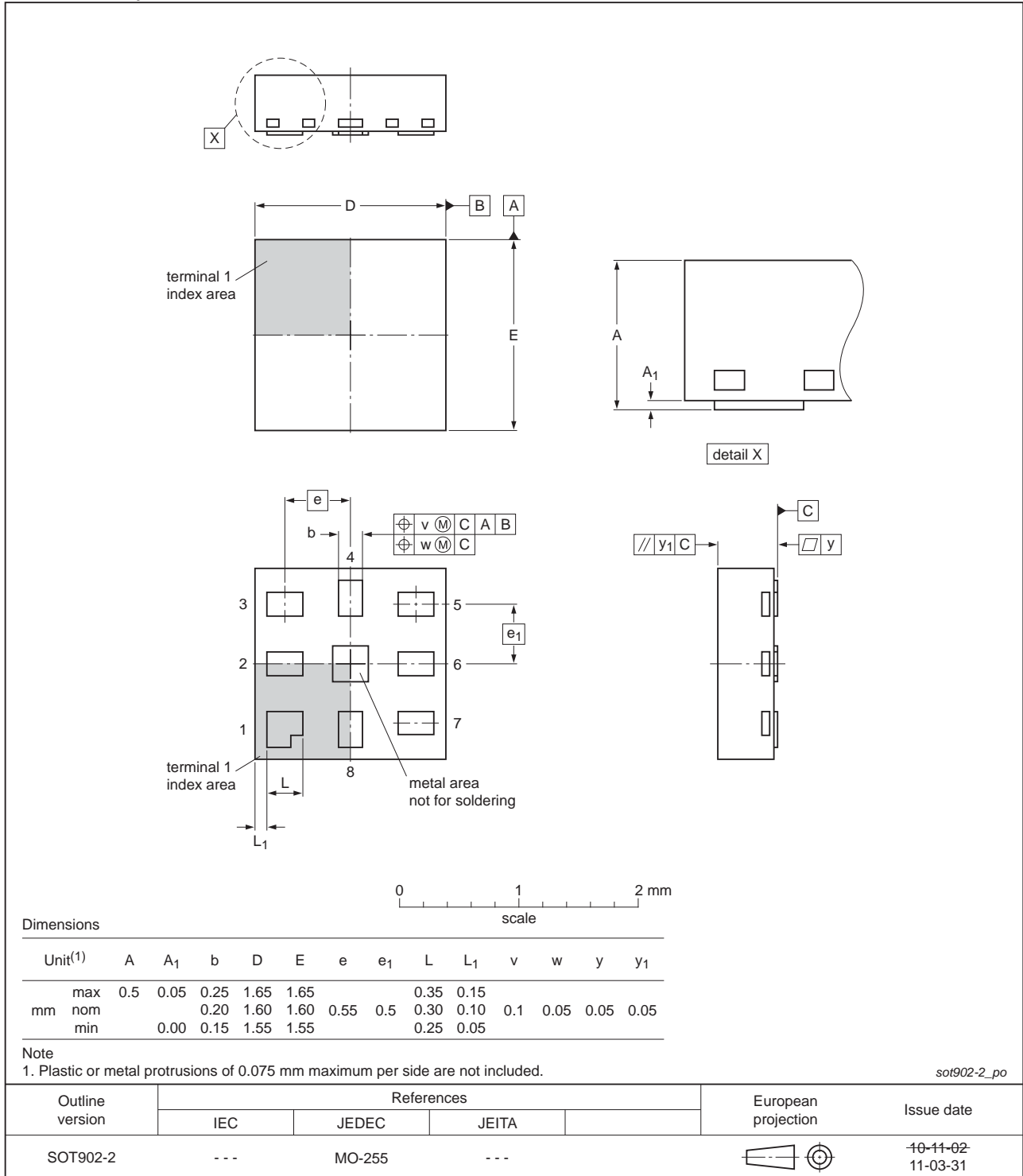


Fig 12. Package outline SOT902-2 (XQFN8)

## 15. Abbreviations

Table 11. Abbreviations

Acronym	Description
CDM	Charged Device Model
ESD	ElectroStatic Discharge
FET	Field Effect Transistor
HBM	Human Body Model
PRR	Pulse Rate Repetition
TTL	Transistor-Transistor Logic

## 16. Revision history

Table 12. Revision history

Document ID	Release date	Data sheet status	Change notice	Supersedes
CBT3306 v.7	20120501	Product data sheet	-	CBT3306 v.6
Modifications:	<ul style="list-style-type: none"> <li>For type number CBT3306GM the sot code has changed to SOT902-2.</li> </ul>			
CBT3306 v.6	20111122	Product data sheet	-	CBT3306 v.5
Modifications:	<ul style="list-style-type: none"> <li>Legal pages updated.</li> </ul>			
CBT3306 v.5	20100325	Product data sheet	-	CBT3306 v.4
CBT3306 v.4	20100218	Product data sheet	-	CBT3306 v.3
CBT3306 v.3	20091014	Product data sheet	-	CBT3306 v.2
CBT3306 v.2	20051117	Product data sheet	-	CBT3306 v.1
CBT3306 v.1	20011108	Product data	-	-

## 17. Legal information

### 17.1 Data sheet status

Document status <sup>[1][2]</sup>	Product status <sup>[3]</sup>	Definition
Objective [short] data sheet	Development	This document contains data from the objective specification for product development.
Preliminary [short] data sheet	Qualification	This document contains data from the preliminary specification.
Product [short] data sheet	Production	This document contains the product specification.

[1] Please consult the most recently issued document before initiating or completing a design.

[2] The term 'short data sheet' is explained in section "Definitions".

[3] The product status of device(s) described in this document may have changed since this document was published and may differ in case of multiple devices. The latest product status information is available on the Internet at URL <http://www.nxp.com>.

### 17.2 Definitions

**Draft** — The document is a draft version only. The content is still under internal review and subject to formal approval, which may result in modifications or additions. NXP Semiconductors does not give any representations or warranties as to the accuracy or completeness of information included herein and shall have no liability for the consequences of use of such information.

**Short data sheet** — A short data sheet is an extract from a full data sheet with the same product type number(s) and title. A short data sheet is intended for quick reference only and should not be relied upon to contain detailed and full information. For detailed and full information see the relevant full data sheet, which is available on request via the local NXP Semiconductors sales office. In case of any inconsistency or conflict with the short data sheet, the full data sheet shall prevail.

**Product specification** — The information and data provided in a Product data sheet shall define the specification of the product as agreed between NXP Semiconductors and its customer, unless NXP Semiconductors and customer have explicitly agreed otherwise in writing. In no event however, shall an agreement be valid in which the NXP Semiconductors product is deemed to offer functions and qualities beyond those described in the Product data sheet.

### 17.3 Disclaimers

**Limited warranty and liability** — Information in this document is believed to be accurate and reliable. However, NXP Semiconductors does not give any representations or warranties, expressed or implied, as to the accuracy or completeness of such information and shall have no liability for the consequences of use of such information. NXP Semiconductors takes no responsibility for the content in this document if provided by an information source outside of NXP Semiconductors.

In no event shall NXP Semiconductors be liable for any indirect, incidental, punitive, special or consequential damages (including - without limitation - lost profits, lost savings, business interruption, costs related to the removal or replacement of any products or rework charges) whether or not such damages are based on tort (including negligence), warranty, breach of contract or any other legal theory.

Notwithstanding any damages that customer might incur for any reason whatsoever, NXP Semiconductors' aggregate and cumulative liability towards customer for the products described herein shall be limited in accordance with the *Terms and conditions of commercial sale* of NXP Semiconductors.

**Right to make changes** — NXP Semiconductors reserves the right to make changes to information published in this document, including without limitation specifications and product descriptions, at any time and without notice. This document supersedes and replaces all information supplied prior to the publication hereof.

**Suitability for use** — NXP Semiconductors products are not designed, authorized or warranted to be suitable for use in life support, life-critical or safety-critical systems or equipment, nor in applications where failure or malfunction of an NXP Semiconductors product can reasonably be expected to result in personal injury, death or severe property or environmental damage. NXP Semiconductors and its suppliers accept no liability for inclusion and/or use of NXP Semiconductors products in such equipment or applications and therefore such inclusion and/or use is at the customer's own risk.

**Applications** — Applications that are described herein for any of these products are for illustrative purposes only. NXP Semiconductors makes no representation or warranty that such applications will be suitable for the specified use without further testing or modification.

Customers are responsible for the design and operation of their applications and products using NXP Semiconductors products, and NXP Semiconductors accepts no liability for any assistance with applications or customer product design. It is customer's sole responsibility to determine whether the NXP Semiconductors product is suitable and fit for the customer's applications and products planned, as well as for the planned application and use of customer's third party customer(s). Customers should provide appropriate design and operating safeguards to minimize the risks associated with their applications and products.

NXP Semiconductors does not accept any liability related to any default, damage, costs or problem which is based on any weakness or default in the customer's applications or products, or the application or use by customer's third party customer(s). Customer is responsible for doing all necessary testing for the customer's applications and products using NXP Semiconductors products in order to avoid a default of the applications and the products or of the application or use by customer's third party customer(s). NXP does not accept any liability in this respect.

**Limiting values** — Stress above one or more limiting values (as defined in the Absolute Maximum Ratings System of IEC 60134) will cause permanent damage to the device. Limiting values are stress ratings only and (proper) operation of the device at these or any other conditions above those given in the Recommended operating conditions section (if present) or the Characteristics sections of this document is not warranted. Constant or repeated exposure to limiting values will permanently and irreversibly affect the quality and reliability of the device.

**Terms and conditions of commercial sale** — NXP Semiconductors products are sold subject to the general terms and conditions of commercial sale, as published at <http://www.nxp.com/profile/terms>, unless otherwise agreed in a valid written individual agreement. In case an individual agreement is concluded only the terms and conditions of the respective agreement shall apply. NXP Semiconductors hereby expressly objects to applying the customer's general terms and conditions with regard to the purchase of NXP Semiconductors products by customer.

**No offer to sell or license** — Nothing in this document may be interpreted or construed as an offer to sell products that is open for acceptance or the grant, conveyance or implication of any license under any copyrights, patents or other industrial or intellectual property rights.

**Export control** — This document as well as the item(s) described herein may be subject to export control regulations. Export might require a prior authorization from competent authorities.

**Non-automotive qualified products** — Unless this data sheet expressly states that this specific NXP Semiconductors product is automotive qualified, the product is not suitable for automotive use. It is neither qualified nor tested in accordance with automotive testing or application requirements. NXP Semiconductors accepts no liability for inclusion and/or use of non-automotive qualified products in automotive equipment or applications.

In the event that customer uses the product for design-in and use in automotive applications to automotive specifications and standards, customer (a) shall use the product without NXP Semiconductors' warranty of the

product for such automotive applications, use and specifications, and (b) whenever customer uses the product for automotive applications beyond NXP Semiconductors' specifications such use shall be solely at customer's own risk, and (c) customer fully indemnifies NXP Semiconductors for any liability, damages or failed product claims resulting from customer design and use of the product for automotive applications beyond NXP Semiconductors' standard warranty and NXP Semiconductors' product specifications.

## 17.4 Trademarks

Notice: All referenced brands, product names, service names and trademarks are the property of their respective owners.

## 18. Contact information

---

For more information, please visit: <http://www.nxp.com>

For sales office addresses, please send an email to: [salesaddresses@nxp.com](mailto:salesaddresses@nxp.com)

## 19. Contents

<b>1</b>	<b>General description</b> .....	<b>1</b>
<b>2</b>	<b>Features and benefits</b> .....	<b>1</b>
<b>3</b>	<b>Ordering information</b> .....	<b>1</b>
<b>4</b>	<b>Marking</b> .....	<b>1</b>
<b>5</b>	<b>Functional diagram</b> .....	<b>2</b>
<b>6</b>	<b>Pinning information</b> .....	<b>2</b>
6.1	Pinning .....	2
6.2	Pin description .....	3
<b>7</b>	<b>Functional description</b> .....	<b>3</b>
<b>8</b>	<b>Limiting values</b> .....	<b>3</b>
<b>9</b>	<b>Recommended operating conditions</b> .....	<b>3</b>
<b>10</b>	<b>Static characteristics</b> .....	<b>4</b>
<b>11</b>	<b>Dynamic characteristics</b> .....	<b>4</b>
<b>12</b>	<b>Waveforms</b> .....	<b>5</b>
<b>13</b>	<b>Test information</b> .....	<b>6</b>
<b>14</b>	<b>Package outline</b> .....	<b>7</b>
<b>15</b>	<b>Abbreviations</b> .....	<b>11</b>
<b>16</b>	<b>Revision history</b> .....	<b>11</b>
<b>17</b>	<b>Legal information</b> .....	<b>12</b>
17.1	Data sheet status .....	12
17.2	Definitions .....	12
17.3	Disclaimers .....	12
17.4	Trademarks .....	13
<b>18</b>	<b>Contact information</b> .....	<b>13</b>
<b>19</b>	<b>Contents</b> .....	<b>14</b>

Please be aware that important notices concerning this document and the product(s) described herein, have been included in section 'Legal information'.

© NXP B.V. 2012.

All rights reserved.

For more information, please visit: <http://www.nxp.com>

For sales office addresses, please send an email to: [salesaddresses@nxp.com](mailto:salesaddresses@nxp.com)

Date of release: 1 May 2012

Document identifier: CBT3306