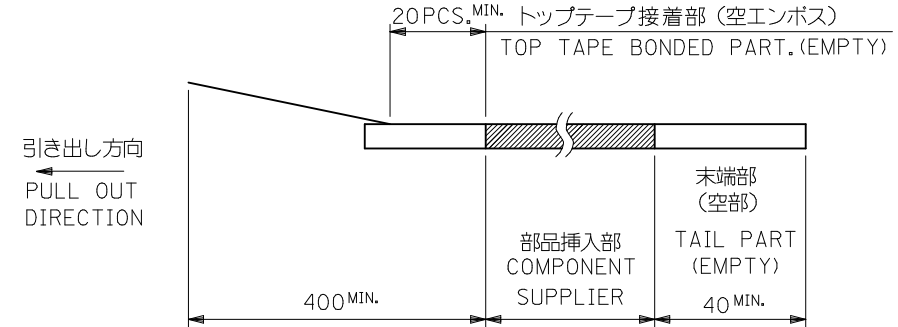
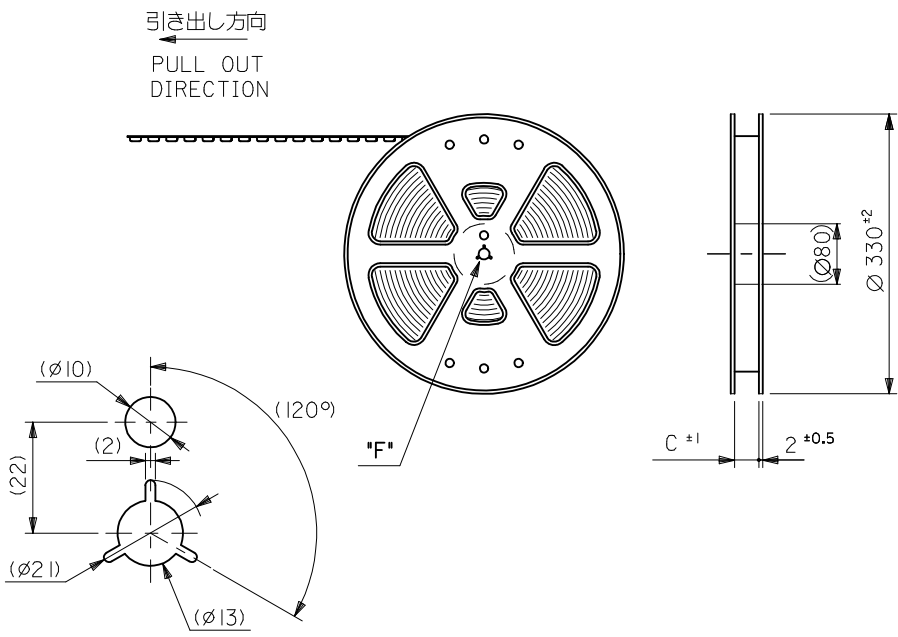
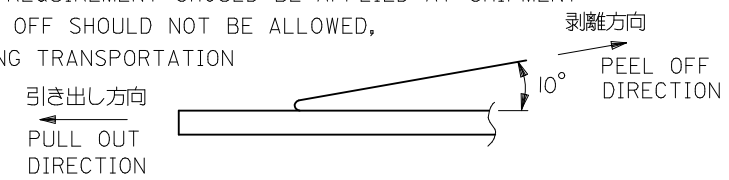


注記 NOTES

- 製品番号 52559-\*\*17 の梱包状態はアクチュエータがロックした状態とする。  
 詳細寸法については図面 SD-52559-\*\*17 を参照下さい。  
 IN THE PACKAGE,ACTUATOR OF PART NO.52559-\*\*17 SHOULD BE LOCKED RE DETAILED DIMENSIONS,SEE SD-52559-\*\*17
- 梱包数量：1000個/リール  
 NUMBER OF CONNECTORS:1000PCS/REEL
- リードテープ長さ LEAD TAPE LENGTH



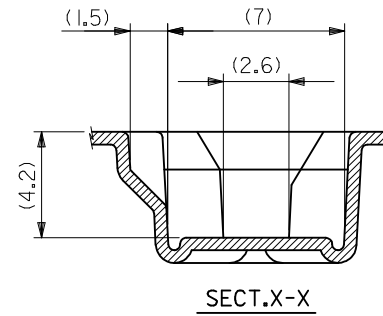
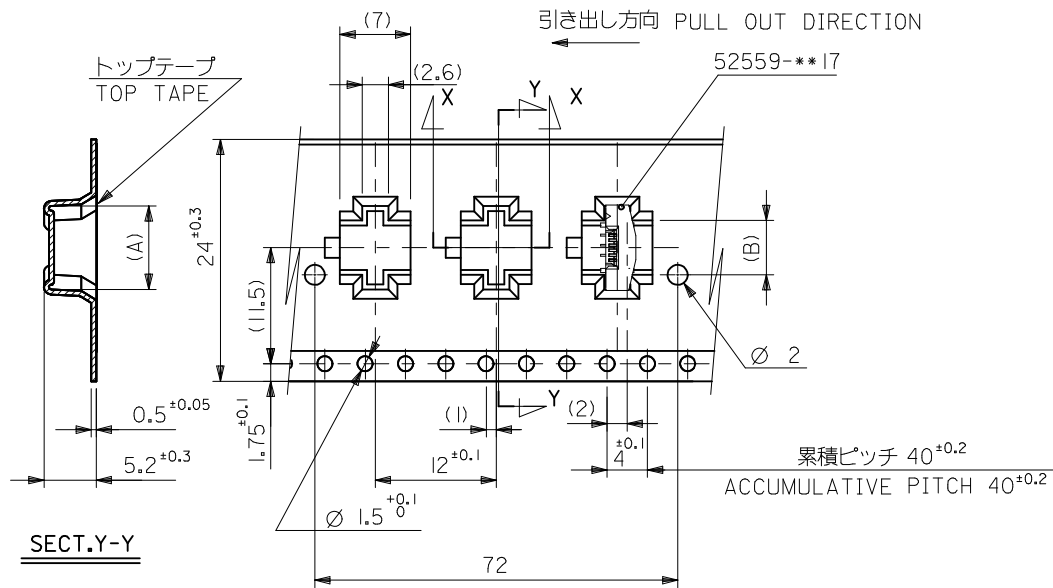
- トップテープの剥離強度：(剥離方向は下図参照)  
 0.1N~0.7N(10.2gf~71.4gf)尚、本規格値は、出荷時に適用。  
 (但し、輸送時に剥離が発生しない事。)  
 PEELING OFF FORCE OF TOP TAPE  
 0.1N~0.7N(10.2gf~71.4gf)XPEELING DIRECTION AS SHOWN IN FOLLOWING FIG.)  
 THIS REQUIREMENT SHOULD BE APPLIED AT SHIPMENT  
 PEEL OFF SHOULD NOT BE ALLOWED,  
 DURING TRANSPORTATION



DETAIL "F"

5. 材料  
 キャリアテープ：ポリプロピレン (PP)  
 トップテープ：PET, PE, PEF  
 リール：ポリスチレン (PS) <リサイクル材を含む>  
 MATERIAL CARRIER TAPE:POLYPROPYLENE  
 TOP TAPE:PET,PE,PEF  
 REEL:POLYSTYREN(PS)  
 <RECYCLE MATERIAL CONTAINED>

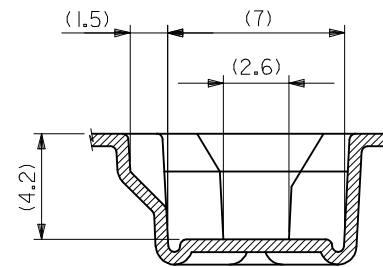
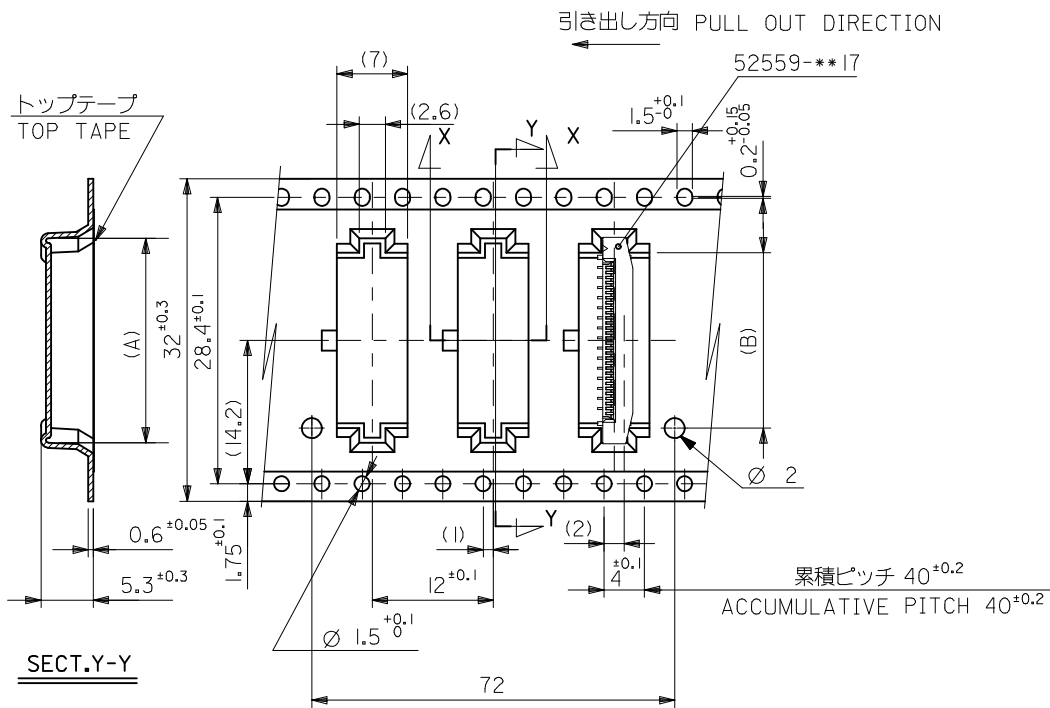
REVISED EC NO: J2014-1848 DRWN:NASUNUMA 2014/06/18 CHKD:KAKAHASHI 2014/06/25 APPR:YNOGAWA 2014/06/30	DESCRIPTION	GENERAL TOLERANCES (UNLESS SPECIFIED)		DIMENSION STYLE MM ONLY		SCALE ---	DESIGN UNITS METRIC	THIRD ANGLE PROJECTION	
		10 UNDER	±0.3	DRAWN BY M.SHIMIZU	DATE 2000/12/20	TITLE 0.5 FPC CONN ASSY ZIF SMT ST EMBSTP PKG			
		10 OVER 30 UNDER	±0.25	CHECKED BY S.KUNISHI	DATE 2000/12/20				
		30 OVER	±0.2	APPROVED BY M.FUKUSHIMA	DATE 2000/12/20				
		ANGULAR	±3 °	MATERIAL NO. SEE NOTES	DOCUMENT NO. SD-52559-054			SHEET NO. 1 OF 4	
		DRAFT WHERE APPLICABLE MUST REMAIN WITHIN DIMENSIONS		THIS DRAWING CONTAINS INFORMATION THAT IS PROPRIETARY TO MOLEX INCORPORATED AND SHOULD NOT BE USED WITHOUT WRITTEN PERMISSION					



24mm幅キャリアテープ  
24mm WIDTH CARRIER TAPE

24	25.5	14.4	17.3	52559-2492	24
		12.4	15.3	52559-2092	20
		9.4	12.3	52559-1492	14
		7.4	10.3	52559-1092	10
		5.4	8.3	52559-0692	6
キャリアテープ幅 CARRIER TAPE WIDTH	C	(B)	(A)	ENG. NO.	極数 CIRCUIT

REVISED EC NO: J2014-1848 DRWN: SANUMA 2014/06/18 CHKD: TAKAHASHI 2014/06/25 APPR: YNOGAWA 2014/06/30 M	DESCRIPTION	GENERAL TOLERANCES (UNLESS SPECIFIED)		DIMENSION STYLE MM ONLY		SCALE ---		DESIGN UNITS METRIC		THIRD ANGLE PROJECTION		
		10 UNDER	±0.3	DRAWN BY	DATE	TITLE						
		10 OVER 30 UNDER	±0.25	M. SHIMIZU	2000/12/20	0.5 FPC CONN ASSY ZIF SMT ST EMBSTP PKG						
		30 OVER	±0.2	CHECKED BY	DATE							
		ANGULAR	±3 °	S. KUNISHI	2000/12/20	molex						
DRAFT WHERE APPLICABLE MUST REMAIN WITHIN DIMENSIONS		APPROVED BY	DATE	DOCUMENT NO.								
		MATERIAL NO.	2000/12/20	SEE NOTES		SD-52559-054		2 OF 4				
		SIZE	A3	THIS DRAWING CONTAINS INFORMATION THAT IS PROPRIETARY TO MOLEX INCORPORATED AND SHOULD NOT BE USED WITHOUT WRITTEN PERMISSION								

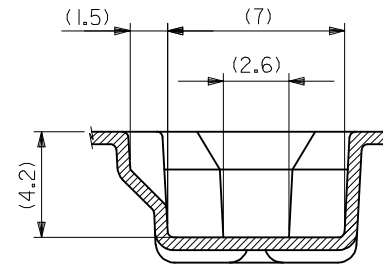
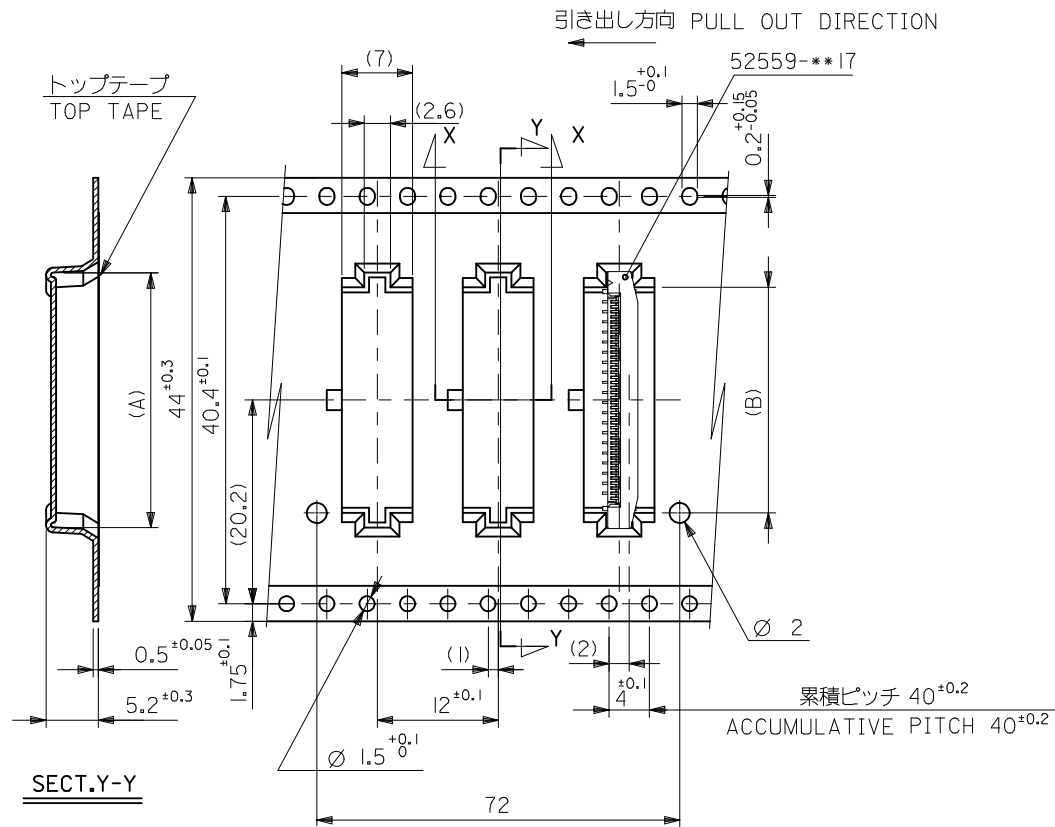


SECT.X-X

32mm幅キャリアテープ  
32mm WIDTH CARRIER TAPE

32	33.5	17.4	20.3	52559-3092	30
キャリアテープ幅 CARRIER TAPE WIDTH	C	(B)	(A)	ENG. NO.	極致 CIRCUIT

REVISED EC NO: J2014-1848 DRWN:NASUNUMA 2014/06/18 CHKD:KAKAHASHI 2014/06/25 APPR:YNOGAWA 2014/06/30 M	DESCRIPTION GENERAL TOLERANCES (UNLESS SPECIFIED) 10 UNDER ±0.3 10 OVER 30 UNDER ±0.25 30 OVER ±0.2 ANGULAR ±3 ° DRAFT WHERE APPLICABLE MUST REMAIN WITHIN DIMENSIONS	DIMENSION STYLE <b>MM ONLY</b>	SCALE ---	DESIGN UNITS METRIC	THIRD ANGLE PROJECTION	
		DRAWN BY M.SHIMIZU	DATE 2000/12/20	TITLE 0.5 FPC CONN ASSY ZIF SMT ST EMBSTP PKG		
		CHECKED BY S.KUNISHI	DATE 2000/12/20	APPROVED BY M.FUKUSHIMA 2000/12/20		
		MATERIAL NO. SEE NOTES	DOCUMENT NO. SD-52559-054	SHEET NO. 3 OF 4		



SECT.X-X

44mm幅キャリアテープ  
44mm WIDTH CARRIER TAPE

44	45.5	22.4	25.3	52559-4092	40
キャリアテープ幅 CARRIER TAPE WIDTH	C	(B)	(A)	ENG. NO.	極致 CIRCUIT

REVISED EC NO: J2014-1848 DRWN:NASUNUMA 2014/06/18 CHKD:KAKAHASHI 2014/06/25 APPR:YNOGAWA 2014/06/30 M	DESCRIPTION GENERAL TOLERANCES (UNLESS SPECIFIED)  10 UNDER ±0.3 10 OVER 30 UNDER ±0.25 30 OVER ±0.2  ANGULAR ±3 ° DRAFT WHERE APPLICABLE MUST REMAIN WITHIN DIMENSIONS	DIMENSION STYLE MM ONLY	SCALE ---	DESIGN UNITS METRIC	THIRD ANGLE PROJECTION	
		DRAWN BY M.SHIMIZU	DATE 2000/12/20	TITLE 0.5 FPC CONN ASSY ZIF SMT ST EMBSTP PKG		
		CHECKED BY S.KUNISHI	DATE 2000/12/20	APPROVED BY M.FUKUSHIMA 2000/12/20		
		MATERIAL NO. SEE SHEET		DOCUMENT NO. SD-52559-054	SHEET NO. 4 OF 4	